



a xylem brand



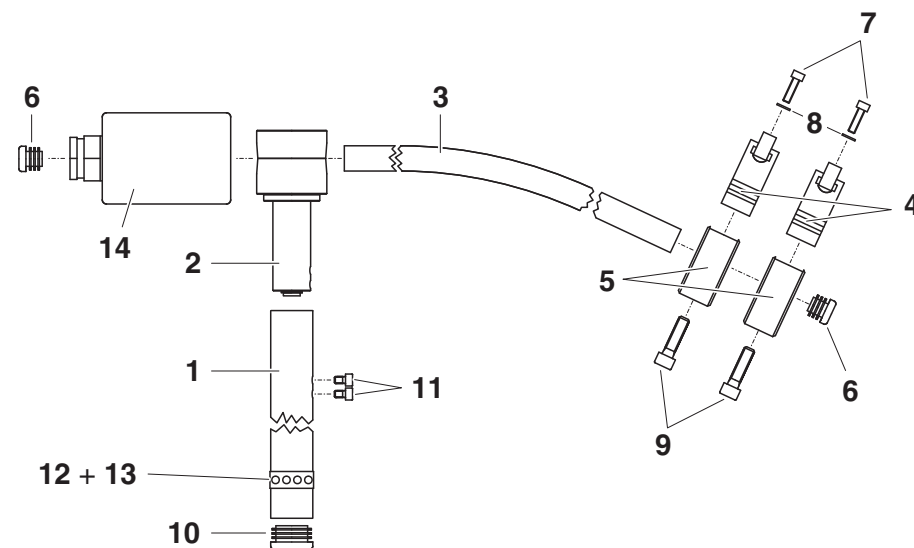
a xylem brand

Installation manual

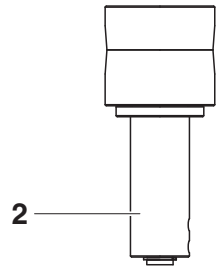
Pendulum Holder

EH/P 170

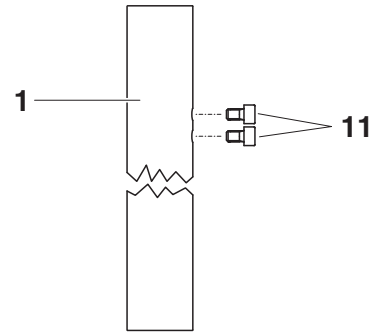
Order no.: 109 270Y



1725 Brannum Lane
Yellow Springs, Ohio 45387 USA
+1 937-767-7241
800-765-4974 (US)
FAX (937) 767-1058
Email: environmental@ysi.com
Internet: www.ysi.com



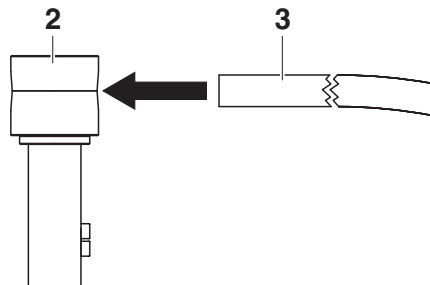
Slide pendulum head (2) into outrigger (1).



Screw down with the two cheese-head screws (11).



Close outrigger at the other end with the stopper (10).



Slide pendulum bar (3) through the pendulum head (2) and screw tight.

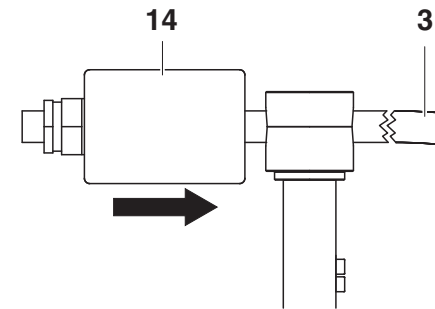
Parts list

Pos.	Article	Quantity
1	Outrigger	1
2	Pendulum head	1
3	Pendulum bar	1
4	Tube clamp \varnothing 40	2
5	Holder	2
6	Stopper \varnothing 18	2
7	Cheese-head screw M5 x 20	2
8	Washer for M5	2
9	Cheese-head screw M8 x 30	2
10	Stopper \varnothing 30	1
11	Cheese-head screw M5 x 8	2
12	Punched band 250 mm	1
13	Button	2
14	Weight	1

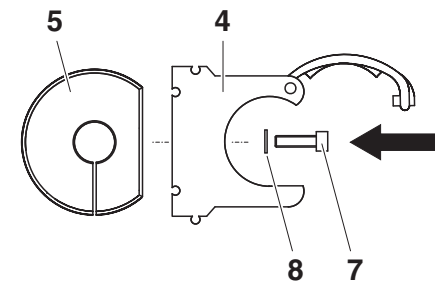
Materials

Pos.	Material
1, 3, 7, 8, 9, 11, 14	V2A Stainless steel 1.4301
2, 5	POM
4	PP
6, 10	PE
12, 13	PA

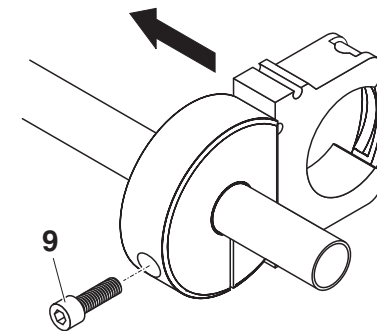
Copyright © 2012, YSI



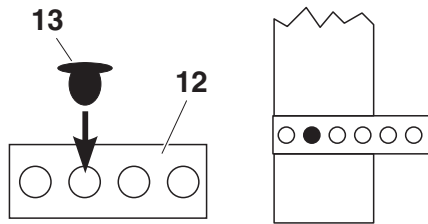
Slide weight (14) over the pendulum bar (3) and fix with nut. After total assembly shift the weight so that the pendulum holder is nearly balanced.



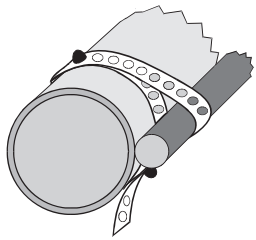
Using the screws (7) including washers (8), mount the tube clamps (4) on the holders (5).



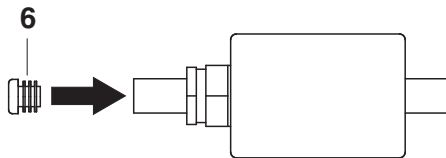
Lead holders over the pendulum bar and screw tight in the desired position with cheese-head screw (9).



- Put buttons (13) in first and sixth hole (depending on cable diameter) of the punched band (12).
- Put punched band over outrigger and fix with first button.
- Put on probe cable and fix with second button.

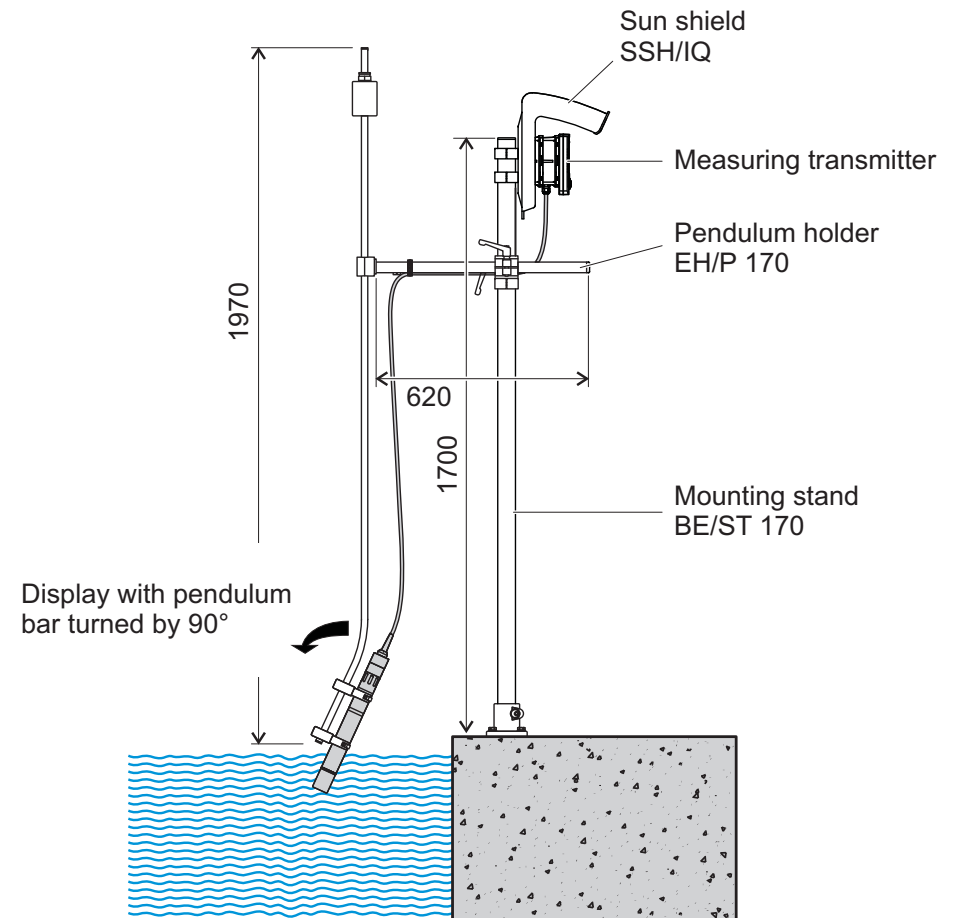


The cable has been fixed on the outrigger.



Close pendulum bar with stopper (6) at the upper and lower end.

Application example



(Dimensions in mm)